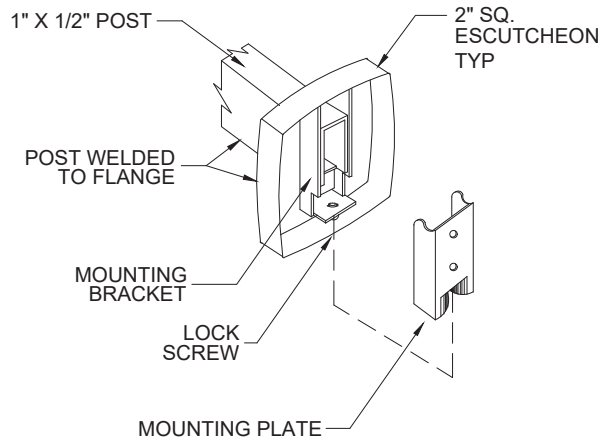
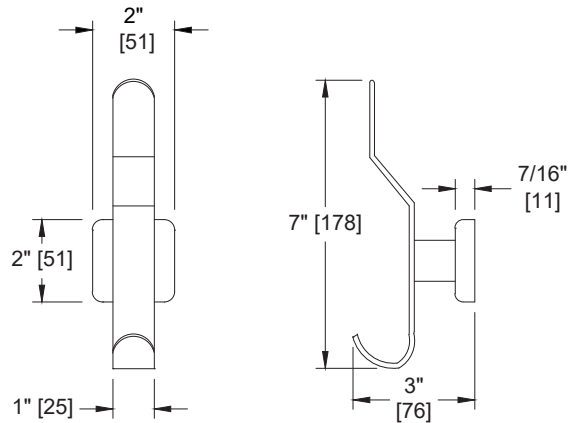


Hat & Coat Hook – Surface Mounted, Satin Finish

Specialty Accessories

MasterFormat Section 10 28 13



NOTE:
ALL DIM'S INCH [MM]
ILLUSTRATION FOR REF ONLY AND NTS

Scan for Information



SUSTAINABILITY/LEED

MR 4.1 (1) MR 6 (1) EQ 4.2 (1)
MR 4.2 (1) EQ 4.1 (1) EQ 4.4 (1)

PRODUCT OVERVIEW

Double hook made from stainless steel for both coats and hats. Hook post are 1/2" x 1" [13 x 25] rectangular tubing with formed mounting flange and bracket welded on end. Hook is 1" x 7" [25 x 178] and internally welded to outer end. Model Option Notes: 7382-B – Bright Finish 7382-S – Satin Finish

KEY FEATURES & SPECIFICATIONS

- Type 304 Stainless Steel - Satin Finish
- Surface Mounted

OPERATION & MAINTENANCE
TECHNICAL INFORMATION / PRODUCT PROPERTIES

Property	Value
Dimensions	2" x 7" x 3" [51 x 178 x 76]
Construction	Type 304 Stainless Steel - Satin Finish
Mounting	Surface Mounted
Capacity	N/A

INSTALLATION

Surface mount unit on door or wall using #10 self-threading screws (by others) through holes provided in mounting plate into suitable prepared mountings (by others) or other suitable mounting hardware (by others) to suit door or wall conditions. Hang post and flange assembly on mounting plate and tighten setscrew to lock unit to plate. For compliance with ICC/ANSI A- 117.1-2003 and ADA Accessibility Guidelines install unit with top of hook 48" [1219] maximum Above Finished Floor (AFF) if clear floor forward reach or if clear floor side reach access only is provided or 46" [1168] max AFF if side reach access over an obstruction (e.g. vanity) with reach depth greater than 10" [254] and less than 25" [635] is only provided or 44" [1118] max AFF if forward reach over an obstruction with reach depth greater than 20" [508] and less than 25" [635] is only provided. For general utility install hook with centerline of mounting plate between 68" and 72" [1727 to 1829] AFF.

ADDITIONAL INFORMATION
WARRANTY

One (1) Year from date of Invoice